

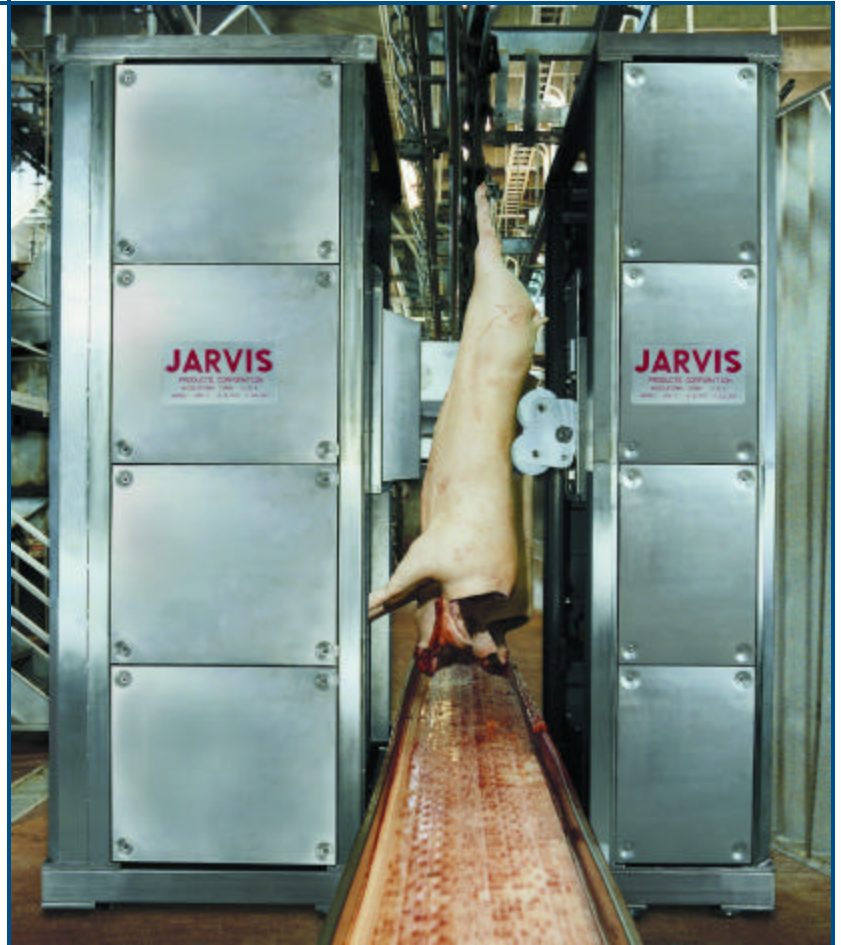
AUTOMATIC HOG SPLITTER

Model JCK-1

**The Jarvis Model JCK-1 -
electric - automatic splitter for hogs.**

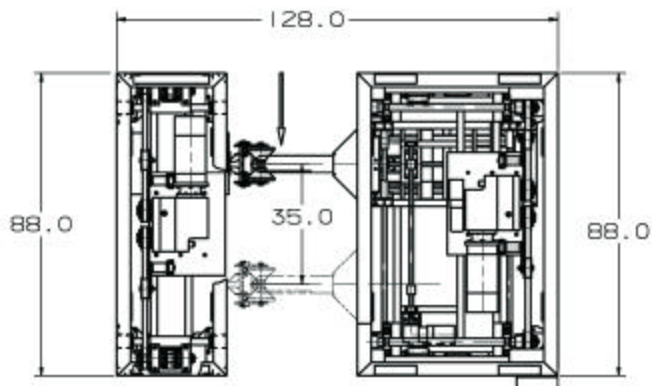
JARVIS

- Latest technology in automatic hog splitting.
- Five axis computerized mechanism; splits up to 650 hogs per hour - regardless of size or weight.
- Customized PLC programs to suit individual requirements.
- Minimum saw dust due to a unique Jarvis manufactured blade.
- Variable speed cutting head for different types of blades, and pressurized lubrication for extended bearing and gear life.
- Movement of splitting station will adjust to any variances in chain speed during production.
- Adapts to any type of slaughter line - gambrels, trolleys, with or without a conveyor.
- Rugged stainless steel construction.

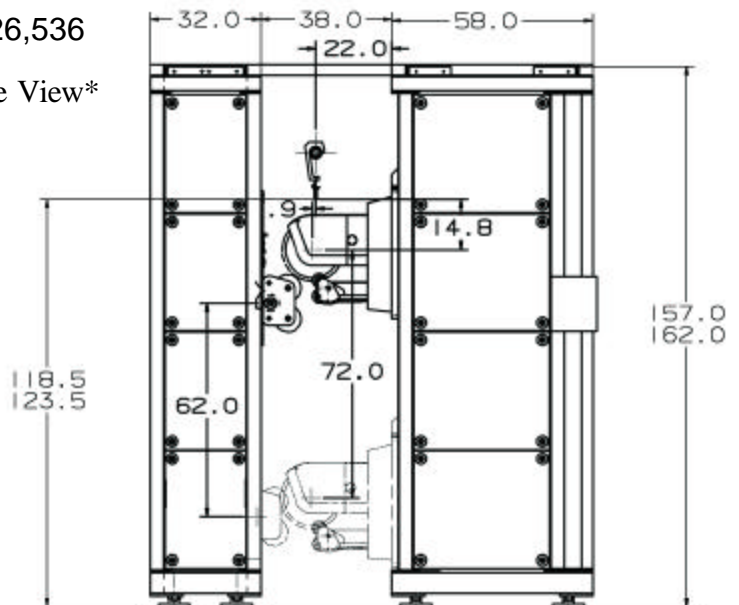


U.S. Patent No. 6,126,536

Top View*



Side View*



* Dimensions shown in inches

THE ULTIMATE HOG SPLITTING MACHINE

AUTOMATIC HOG SPLITTER

Model JCK-1

Specifications

Drive	Electric
-------	----------

Model JCK-1

Operating Air Pressure	85 psi	5.9 bar
Air Consumption (per cycle)	25 ft ³ / min	0.76 m ³ / min
Operating Water Pressure	40 psi	2.8 bar
Water Consumption (per sanitization cycle)	1.25 gal	4.7 L
Maximum Production Rate		650 / hour
Controls		
Automatic		no operator required
Blade Speed		1240 rpm
Blade Diameter	18 in	457 mm
Overall Dimensions (l x w x h)	128 x 88 x 157 in	325 x 223.5 x 399 cm
Total Weight	9250 lbs	4196 kg
Splitting Station	6050 lbs	2744 kg
Backup Station	3200 lbs	1451 kg

Electric Power Requirements

Operating Voltage	460 V, 3 phase, 60 Hz
Full Load Current	52 amp

Equipment Selection and Accessories	Order Number
-------------------------------------	--------------

Model JCK-1	460 V, 3 phase, 60 Hz	4004199
	380 V, 3 phase, 50 Hz	4004208

Blade	<i>Please specify blade preference when ordering.</i>	
	∅ 18 x 0.032 in / 457 mm x 0.81mm - 30 Teeth	1023496
	∅ 18 x 0.040 in / 457 mm x 1.01mm - 30 Teeth	1023497



Products for the meat and poultry industry

Jarvis Products Corporation · 33 Anderson Road · Middletown, CT 06457-4926 · United States of America
 Telephone (860) 347-7271 · Fax (860) 347-9905 · jarvis.products.corp@snet.net